



HELIOS · PREISSER

TIME FOR  
HELIOS-PREISSER



Partner for specialist retailers

## Promotion Brochure Autumn 2016

In Germany at home – in demand worldwide

valid until 28.02.2017



## Feeler gauge tape set

### Specification

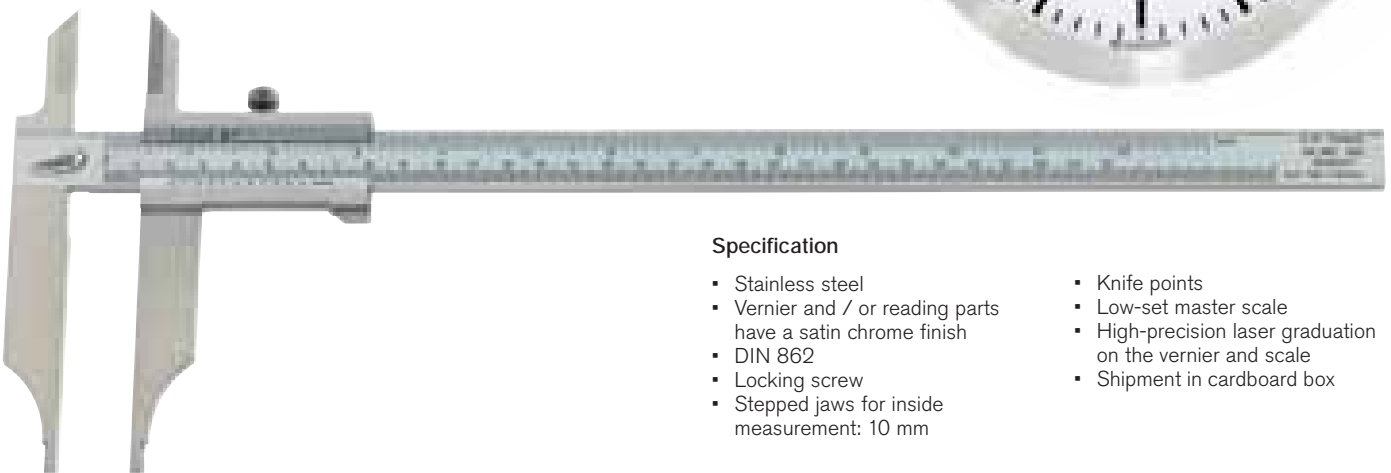
- 15 piece set
- With size labels
- Wall holder made of steel sheet, lacquered
- Shipment incl. holder for feeler gauge tapes and mounting fittings



Dimensions mm	Graduation mm	Ref. No	Set	Promotion Price Euro
330 x 100 x 110	0.01 - 0.25	601216014	with wall clock	139.00

## Workshop caliper

DIN 862



### Specification

- Stainless steel
- Vernier and / or reading parts have a satin chrome finish
- DIN 862
- Locking screw
- Stepped jaws for inside measurement: 10 mm
- Knife points
- Low-set master scale
- High-precision laser graduation on the vernier and scale
- Shipment in cardboard box

Measuring range		Jaw length		Reading		Ref. No	Set	Promotion Price Euro
mm	inch	mm	inch	mm	inch			
300	12	90	3.5	0.05	1/128	601216015	with wall clock	149.00



## DIGI-MET® Pocket caliper



INCLUDES INITIAL CALIBRATION  
Supplied with a calibration certificate

**PROMOTION!**  
**€ 119.-**  
Including wall clock or depth attachment base

### Specification

- Measuring system is insensitive to fluids and dust
- Protection class IP67
- Stainless steel
- LCD display 11 mm
- DIN 862
- Housing and operating keys have an excellent chemical resistance
- Locking screw
- Inside cross points
- Four way measurement
- Shipment in plastic case

### Electronic functions

- ON/OFF switch
- QuickStart Electronic
- QuickLock Function
- Zero setting at any position
- mm/inch conversion
- PRESET Function (setting a numerical value)



### Specification depth attachment base

- Bridge length: 75 mm
- Stainless steel

Scan to watch electronic system



Measuring range		Jaw length		Reading		Depth gauge	Ref. No	Set	Catalogue Price Euro	Promotion Price Euro
mm	inch	mm	inch	mm	inch					
150	6	40	1.57	0.01	.0005	dia. 1.5 mm	601216010	with wall clock	152.00	119.00
150	6	40	1.57	0.01	.0005	rectangular	601216011	with wall clock	152.00	119.00
150	6	40	1.57	0.01	.0005	dia. 1.5 mm	601216012	with depth attachment base	152.00	119.00
150	6	40	1.57	0.01	.0005	rectangular	601216013	with depth attachment base	152.00	119.00

# CALIPERS

## Quality measuring tool set (8 piece)

- Pocket calipers in 5 different types of choice
- External micrometer with carbide measuring faces, measuring range 0-25 mm, reading 0.01 mm
- Flexible steel rule, stainless steel, measuring range 200 mm, graduation mm / mm, 13 x 0.5 mm
- Knife square, hardened, DIN 875/00, 100 x 70 mm, with non-glare knife edge
- Knife edge, hardened and dia., DIN 874/00, length 100 mm
- Scriber, carbide tipped, hexagonal handle made of one piece, with pocket clip, length 180 mm
- Radius gauge, special steel, 17 sheets, concave and convex, with locking nut, measuring range 1.0 – 7.0 mm
- Screw pitch gauge, combined metric ISO- and Whitworth thread, 48 blades, increments 0.4 – 7.0 / 4 – 62

### Set with DUO - FIX Pocket vernier caliper

- Measuring range 150 mm
- Reading 1/20 and 1/128"

Depth gauge	Ref. No	Price Euro
rectangular	0212 520	123.00

### Set with DIGI-MET® Pocket vernier caliper

- Measuring range 150 mm
- Reading 0,01 mm / .0005 inch

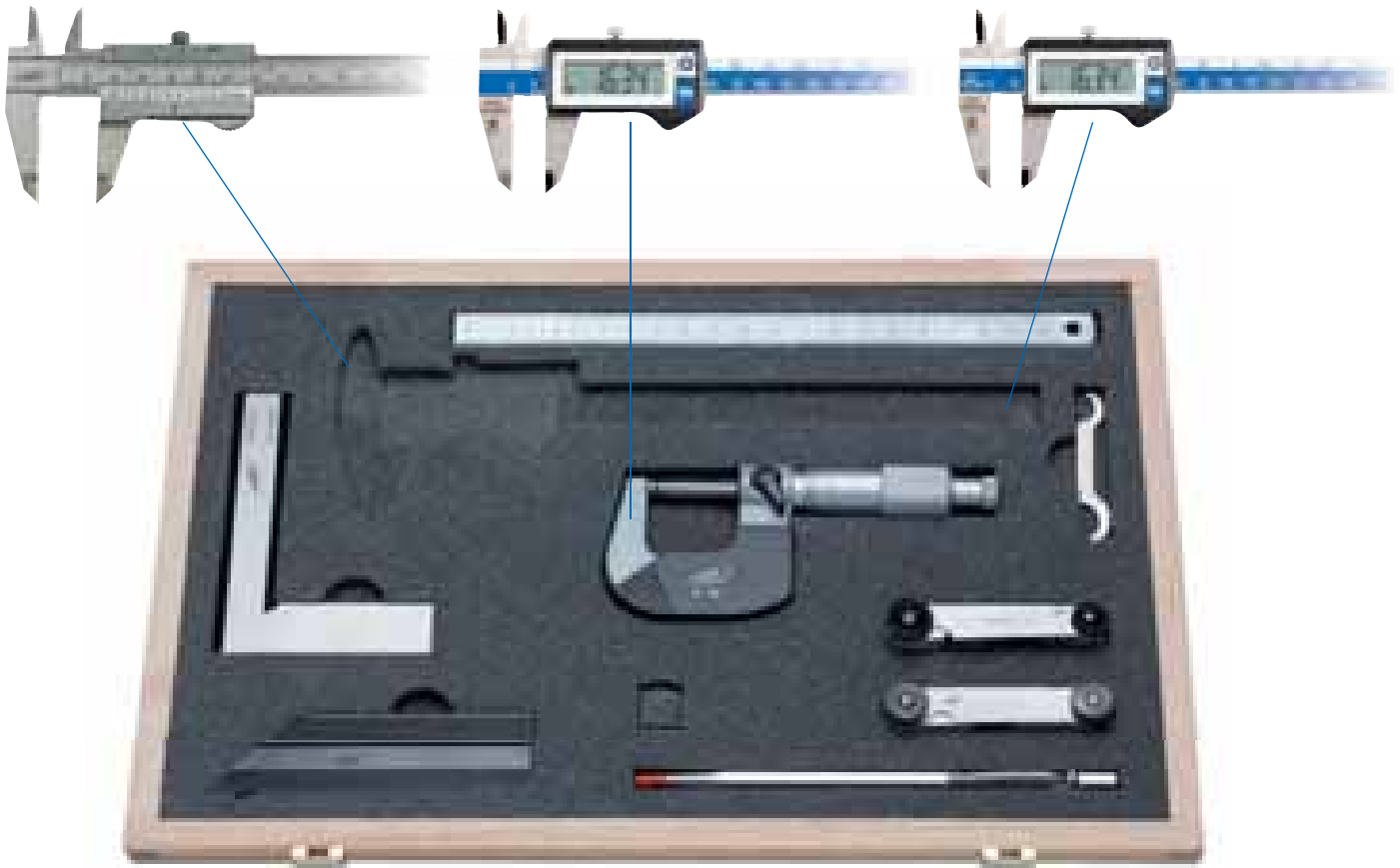
Depth gauge	Ref. No	Price Euro
dia. 1.5 mm	0212 522	180.00
rectangular	0212 524	180.00

### Set with DIGI-MET® Pocket vernier caliper

- Measuring range 150 mm
- Reading 0.01 mm / .0005 inch



Depth gauge	Ref. No	Price Euro
dia. 1.5 mm	0212 526	205.00
rectangular	0212 528	205.00





## DIGI-MET® Pocket vernier caliper



**INCLUDES INITIAL CALIBRATION**  
Supplied with a calibration certificate

Scan to watch **electronic system**



### Specification

- Inductive measuring system, resistant to damp and sweat
- Stainless steel
- LCD display 11 mm
- DIN 862
- Locking screw
- Inside cross points
- Four way measurement
- Shipment in plastic case

### Electronic functions

- ON/OFF switch
- QuickStart Electronic
- QuickLock Function
- Zero setting at any position
- mm/inch conversion
- PRESET Function (setting a numerical value)

Measuring range		Jaw length		Reading		Depth gauge	Ref. No	Catalogue Price	Promotion Price
mm	inch	mm	inch	mm	inch			Euro	Euro
150	6	40	1.57	0.05	1/128	dia. 1.5 mm	1320 416	105.00	82.50
150	6	40	1.57	0.05	1/128	rectangular	1320 417	105.00	82.50

## Pocket vernier caliper **SOFT-SLIDE**



**NEW**  
Measuring range up to 300 mm  
from €29.50  
**SOFT-SLIDE**  
Smooth-running

### Specification

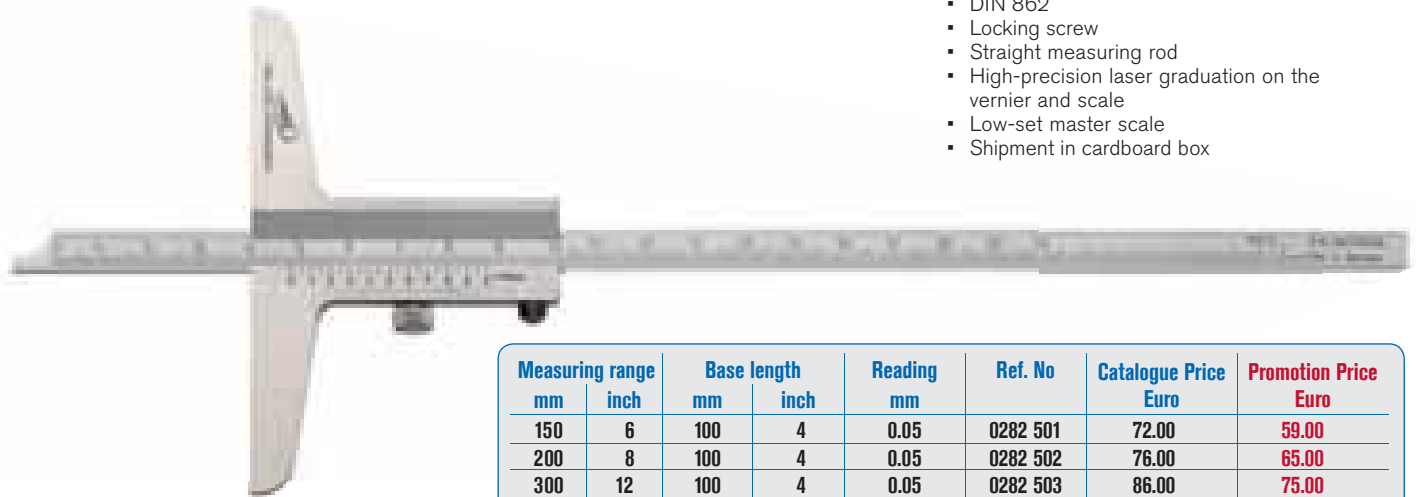
- Stainless steel
- Reading parts have a satin chrome finish
- DIN 862
- Locking screw
- Inside cross points
- Low-set master scale
- Four way measurement
- Includes thread table
- Shipment in imitation leather case

Measuring range		Jaw length		Reading		Depth gauge	Ref. No	Promotion Price
mm	inch	mm	inch	mm	inch			Euro
150	6	40	1.57	0.05	1/128	rectangular	0197 501	29.50
200	8	50	1.96	0.05	1/128	rectangular	0197 505	49.00
300	12	60	2.36	0.05	1/128		0197 508	99.00

# DEPTH GAUGES

## Depth gauges

DIN 862



### Specification

- DIN 862
- Locking screw
- Straight measuring rod
- High-precision laser graduation on the vernier and scale
- Low-set master scale
- Shipment in cardboard box

Measuring range		Base length		Reading		Ref. No	Catalogue Price Euro	Promotion Price Euro
mm	inch	mm	inch	mm	inch			
150	6	100	4	0.05		0282 501	72.00	59.00
200	8	100	4	0.05		0282 502	76.00	65.00
300	12	100	4	0.05		0282 503	86.00	75.00
300	12	150	6	0.05		0282 505	91.00	79.00
500	20	150	10	0.05		0282 507	141.00	119.00
500	20	250	10	0.05		0282 508	215.00	185.00

## DIGI-MET® Depth gauges

DIN 862 IP 67



INCLUDES INITIAL CALIBRATION  
Supplied with a calibration certificate

PROMOTION PRICE  
from  
€ 249.-

### Specification

- Stainless steel
- Inductive measuring system, protection class IP67
- DIN 862
- Locking screw
- LCD display 11 mm
- Measuring pin dia. 1.5 mm
- Shipment in wooden case

### Electronic functions

- ON/OFF switch
- QuickStart Electronic
- QuickLock Function
- Zero setting at any position
- mm/inch conversion
- PRESET Function (setting a numerical value)

IP 67

Scan to watch  
electronic  
system



Measuring range		Base length		Reading		Ref. No	Catalogue Price Euro	Promotion Price Euro
mm	inch	mm	inch	mm	inch			
150	6	100	4.0	0.01	.0005	1371 416	358.00	249.00
300	12	150	6.0	0.01	.0005	1371 422	439.00	299.00
500	20	150	6.0	0.01	.0005	1371 428	505.00	349.00

## DIGI-MET® Small depth gauge



### Specification

- Stainless steel
- Protection class IP67
- LCD display 7.5 mm
- Factory standard
- Measuring pin, dia. 2 mm
- Shipment in wooden case

### Electronic functions

- ON/OFF switch
- QuickStart Electronic
- QuickLock Function
- Zero setting at any position
- mm/inch conversion
- Variable data output RS 232 + Digimatic + USB
- PRESET Function (setting a numerical value)



Measuring range		Base length		Reading		Ref. No	Catalogue Price Euro	Promotion Price Euro
mm	inch	mm	inch	mm	inch			
25	1	48	1.89	0.01	.0005	1375 502	230.00	199.00

## DIGI-MET® Depth gauges with interchangeable inserts

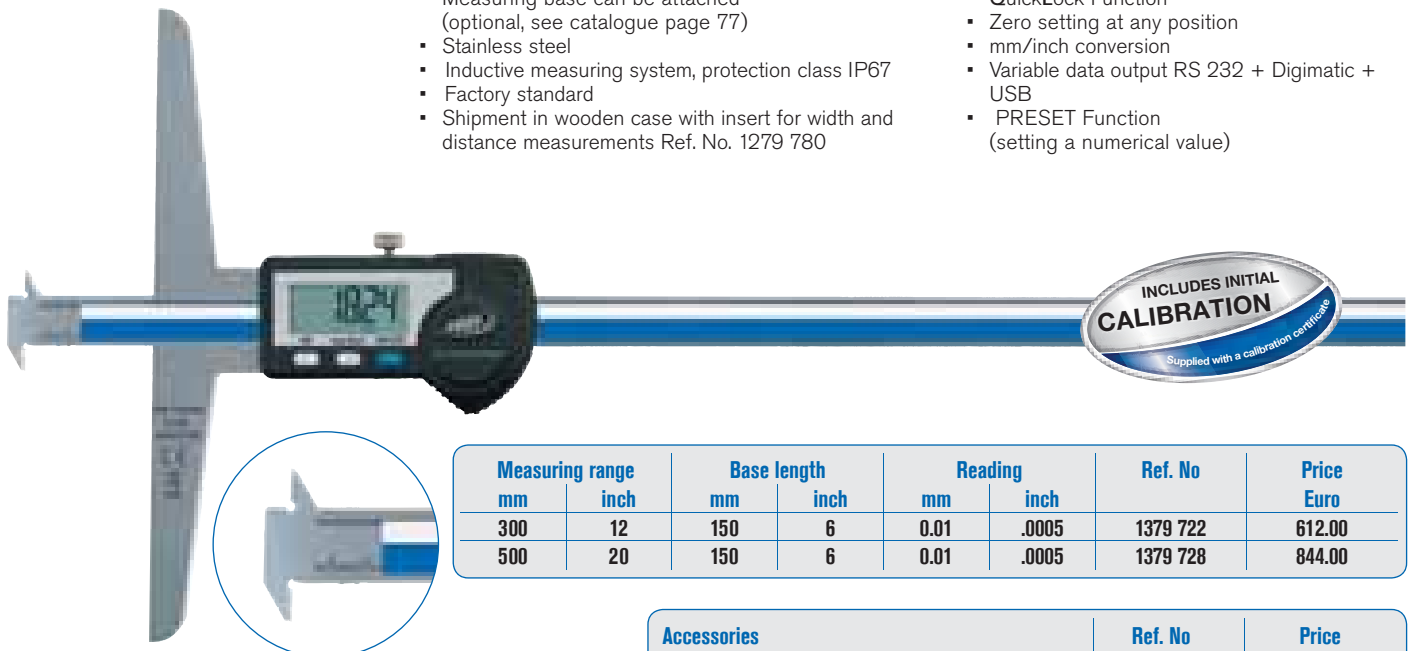


### Specification

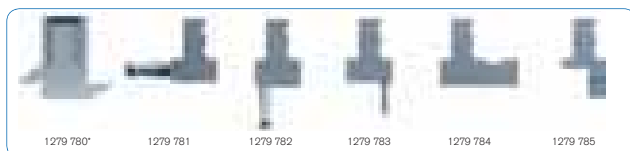
- Interchangeable inserts for solving different measuring tasks
- Measuring base can be attached (optional, see catalogue page 77)
- Stainless steel
- Inductive measuring system, protection class IP67
- Factory standard
- Shipment in wooden case with insert for width and distance measurements Ref. No. 1279 780

### Electronic functions

- ON/OFF switch
- QuickStart Electronic
- QuickLock Function
- Zero setting at any position
- mm/inch conversion
- Variable data output RS 232 + Digimatic + USB
- PRESET Function (setting a numerical value)



Measuring range		Base length		Reading		Ref. No	Price Euro
mm	inch	mm	inch	mm	inch		
300	12	150	6	0.01	.0005	1379 722	612.00
500	20	150	6	0.01	.0005	1379 728	844.00



Accessories	Ref. No	Price Euro
Insert for width and distance measurements*	1279 780*	105.00
Insert with ball, angled	1279 781	105.00
Insert with ball, straight	1279 782	105.00
Insert with measuring pin	1279 783	105.00
Insert with hook	1279 784	105.00
Insert with straight measuring rod	1279 785	105.00

\* Standard insert included in the delivery of the basic instrument

# MICROMETERS

## External micrometers

DIN 863-1

**PROMOTION PRICES**  
from € 39.-



### Specification

- DIN 863-1
- Reading: 0.01 mm
- Reading parts are satin chrome finished
- Locking lever
- Ratchet stop
- Carbide measuring faces
- Thermally insulated
- Coated steel frame
- From measuring range 25 - 50 mm upwards includes a setting gauge
- Shipment in plastic case

Measuring range mm	Spindle dia. mm	Thimble dia mm	Pitch mm	Ref. No	Catalogue Price Euro	Promotion Price Euro
0 - 25	6.5	17.5	0.5	0806 521	43.10	39.00
25 - 50	6.5	17.5	0.5	0806 522	68.00	59.00
50 - 75	6.5	17.5	0.5	0806 523	84.00	75.00
75 - 100	6.5	17.5	0.5	0806 524	97.00	85.00

## Set of external micrometers

### Shipment

- Includes 4 external micrometers
- Incl. setting gauges 25 + 75 mm or 125 + 175 mm
- Wooden case



Measuring range mm	Spindle dia. mm	Thimble dia mm	Pitch mm	Ref. No	Catalogue Price Euro	Promotion Price Euro
0 - 100	6.5	17.5	0.5	0806 540	254.00	219.00



## Holder for external micrometers

### Specification

- With heavy cast iron base
- Vertically rotating and lockable
- Shipment in cardboard box

For Measuring range mm	Ref. No	Catalogue Price Euro	Promotion Price Euro
0 - 300	0807 101	52.00	39.00





## 3 point internal micrometers

DIN 863-4



**INCLUDED!**

Single devices and sets for **PROMOTION PRICES**

### Specification

- DIN 863-4
- Reading: 0.001 mm\*
- Reading: 0.005 mm
- Reading parts are satin chrome finished
- Pitch 0.5 mm
- Carbide tipped measuring pins from measuring range 12 mm for through and blind holes
- Ratchet stop
- From measuring range 12 mm for through and blind holes
- Certificate for ring & device
- Shipment in plastic case
- Incl. setting ring

### Single devices

Measuring range mm	Meas. Depth mm	Thimble mm	Accuracy $\mu$ m	Setting ring dia. mm	Ref. No	Catalogue Price Euro	Promotion Price Euro
6 - 8	58	16	4	8	1921 510*	370.00	335.00
8 - 10	58	16	4	10	1921 512*	370.00	335.00
10 - 12	58	16	4	12	1921 514*	370.00	335.00
12 - 16	64	16	4	16	1921 516*	370.00	335.00
16 - 20	64	16	4	20	1921 518*	390.00	349.00
20 - 25	68	25	4	25	1921 520	400.00	359.00
25 - 30	68	25	4	30	1921 522	405.00	365.00
30 - 40	76	25	4	40	1921 524	455.00	399.00
40 - 50	76	25	4	50	1921 526	455.00	399.00
50 - 60	79	25	5	60	1921 528	525.00	469.00
60 - 70	79	25	5	70	1921 530	540.00	479.00
70 - 85	97	25	5	85	1921 532	555.00	499.00
85 - 100	97	25	5	100	1921 534	570.00	509.00

### Specification

- DIN 863-4
- Reading: 0.001 mm\*
- Reading: 0.005 mm
- Reading parts are satin chrome finished
- Pitch 0.5 mm
- Carbide tipped measuring pins from measuring range 12 mm for through and blind holes
- Ratchet stop
- From measuring range 12 mm for through and blind holes
- Certificate for ring & device
- Shipment in plastic case
- Incl. setting ring

### Sets

Measuring range mm	Thimble mm	Setting ring dia. mm	Ref. No	Catalogue Price Euro	Promotion Price Euro
6 - 12	16	8 + 10	1920 574*	1,040.00	835.00
12 - 20	16	16	1920 576*	730.00	655.00
20 - 50	25	25 + 40	1920 578	1,800.00	1,590.00
50 - 100	25	60 + 85	1920 580	2,150.00	1,890.00



# INDICATORS

## Water and oil proof dial gauges



### Specification

- Metal housing, water and oil proof
- Protection class IP67
- Measuring spindle is made of stainless steel
- Replacement probe tip M 2.5
- Clamping shank Ø 8 mm
- Rubber bellows
- Shockproof
- Outer ring (Bezel) can be rotated through 360°
- DIN 878
- Shipment in case

Measuring range mm	Reading mm	Range per revolution mm	Outer ring (Bezel) mm	Ref. No	Price Euro
3	0.01	0.5	44.5	0707 101	113.00
10	0.01	1.0	61.5	0707 102	97.00



## Small dial gauges



### Specification

- Metal housing
- Measuring spindle is made of stainless steel
- Replacement probe tip M 2.5
- Reading: 0.01 mm
- Range per revolution: 0.5 mm
- Clamping shank Ø 8 mm
- With a revolution counter
- DIN 878
- Shipment in case

Measuring range mm	Outer ring (Bezel) dia. mm	Ref. No	Price Euro
<b>Small dial gauge:</b>			
3	32	0708 103	60.00
3	40	0708 104	41.60
<b>Shockproof small dial gauge:</b>			
3	40	0708 105	50.00
5	40	0708 106	67.00



## Dial comparator gauge MICROTAST



### Specification

- Measuring spindle is made of hardened stainless steel
- Longer measuring spindle
- Replacement probe tip M 2.5
- Clamping shank Ø 8 mm
- Tolerance markers
- Shockproof
- Fine adjustment
- Replacement probe tip M 2.5
- DIN 879
- Shipment in case

Measuring range mm	Reading mm	Dial reading	Overtravel mm	Ref. No	Price Euro
0.5	0.01	25-0-25	2.5	0712 121	143.00
0.1	0.001	50-0-50	3.0	0712 124	175.00



## DIGI-MET® Indicators



### Specification

- Housing Ø 60 mm
- Replacement probe tip M 2.5
- Protection class IP52
- Clamping shank Ø 8 mm
- LCD display with 12 mm high numerals
- Measuring force 0.5 - 1 N
- Factory standard
- Shipment in cardboard box

### Electronic functions

- ON/OFF switch
- QuickStart Electronic
- QuickLock Function
- Zero setting at any position
- Reversal of counting direction
- mm/inch conversion
- Individual buttons can be locked
- Variable data output RS 232 + Digimatic + USB
- PRESET Function (setting a numerical value)



Measuring range		Reading		Error limit		Ref. No	Catalogue Price	Promotion Price
mm	inch	mm	inch	mm	inch		Euro	Euro
12.5	0.5	0.01	.0005	0.020		1722 502	133.00	119.00
12.5	0.5	0.001	.00005	0.015		1724 502	273.00	199.00



## DIGI-MET® Indicators



### Specification

- Aluminium housing
- Outer ring (Bezel) Ø 60 mm
- Replacement probe tip M 2.5
- Protection class IP54
- Clamping shank Ø 8 mm
- Display unit can be rotated through 280°
- LCD display with 11 mm high numerals
- Factory standard
- Shipment in cardboard box

### Electronic functions

- ON/OFF switch
- QuickStart Electronic
- QuickLock Function
- Zero setting at any position
- mm/inch conversion
- Absolute function (display can be set to zero without losing the Preset value)
- Reversal of counting direction
- Tolerance function
- Factor input
- Individual buttons can be locked
- Variable data output RS 232 + Digimatic + USB
- PRESET Function (setting a numerical value)

Measuring range		Reading		Error limit		Ref. No	Price
mm	inch	mm	inch	mm	inch		Euro
12.5	0.5	0.001	.00005	0.005	.0002	1730 502	353.00
25.0	1.0	0.001	.00005	0.005	.0002	1730 506	398.00
12.5	0.5	0.01	.0005	0.02	.001	1732 502	298.00
25.0	1.0	0.01	.0005	0.02	.001	1732 506	376.00

## DIGI-MET® Indicators



### With wide measuring ranges

### Specification

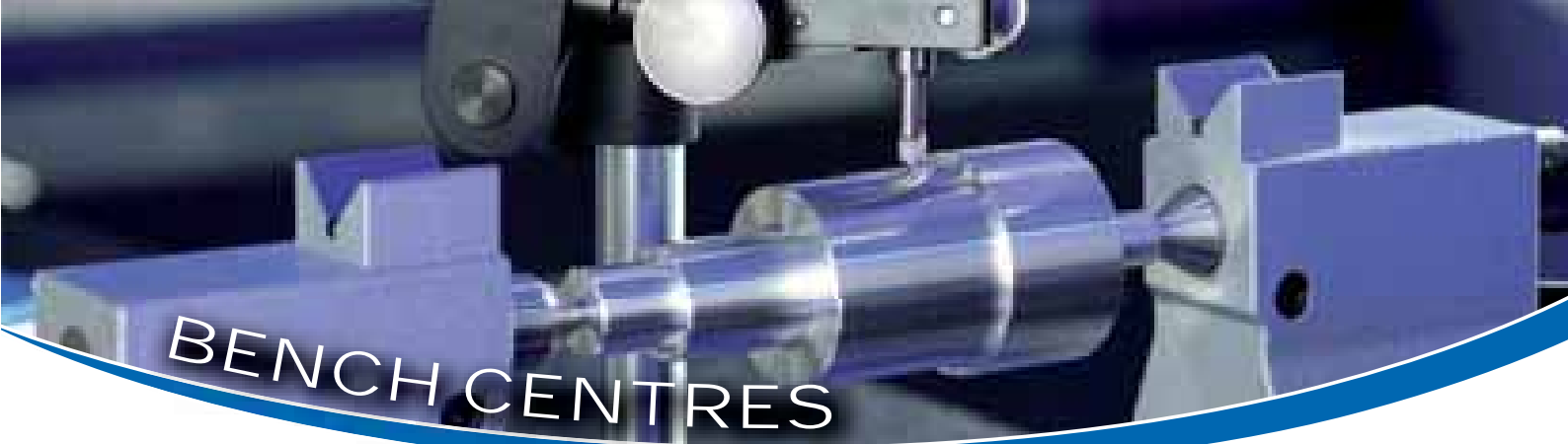
- Aluminium housing
- Hardened stainless steel spindle
- Outer ring (Bezel) Ø 60 mm
- Replacement probe tip M 2.5
- Protection class IP42
- Clamping shank Ø 8 mm
- Display unit can be rotated through 280°
- LCD display with 11 mm high numerals
- Factory standard
- Shipment in cardboard box

### Electronic functions

- ON/OFF switch
- QuickStart Electronic
- QuickLock Function
- Zero setting at any position
- mm/inch conversion
- Absolute function (display can be set to zero without losing the Preset value)
- Reversal of counting direction
- Tolerance function
- Factor input
- Individual buttons can be locked
- Variable data output RS 232 + Digimatic + USB
- PRESET Function (setting a numerical value)

Measuring range		Reading		Error limit		Ref. No	Price
mm	inch	mm	inch	mm	inch		Euro
50.0	2.0	0.001	.00005	0.008	.0003	1726 510	618.00
100.0	4.0	0.001	.00005	0.009	.0004	1726 514	765.00





# BENCH CENTRES

## Bench centres

DIN 876-2

**Promotion Prices**  
You save up to  
**€ 500.-**

### Specification

- Finely ground surface, flatness tolerance according to DIN 876-2
- With two adjustable tailstocks
- Left tailstock with fixed centre
- Right tailstock with retractable spring mounted centre, free lift appr. 10 mm
- Quick-clamping device by clamping lever ①
- Tailstocks 75 mm with V-groove support ②
- Tailstocks can be clamped via an eccentric clamp
- With T-groove and support column
- With mounting hole for dial gauges Ø 8 mm
- Shipment in cardboard box



Height of centres mm	Max. work load per tailstock (kg)	Width between centres mm	Width of T grooves mm	Base mm	Ref. No	Catalogue Price Euro	Promotion Price Euro
50	5	200	10	350 x 110	0780 101	559.00	499.00
75*	5	350	10	500 x 110	0780 105	728.00	649.00

\*With integrated V-groove support on the tailstocks

## Concentricity measuring gauge with disc supports



### Specification

- Centerless concentricity measuring instrument
- High accuracy discs are being mounted on bearings; free of play
- Discs can be slid to either side on the base
- One sliding disc can be adjusted up to 30 mm for diametral compensation
- Includes the support post, excludes a dial gauge
- Concentricity accuracy 5 µm
- Load capacity max. 50 kg (25 kg per tailstock)
- Shipment in wooden box
- Excess length / Excess weight (consider carrying charge)

Max. distance between discs mm	Max. workpiece dia. mm	Discs dia. mm	Ref. No	Catalogue Price Euro	Promotion Price Euro
400	250	120	0784 108	2,864.00	2,350.00



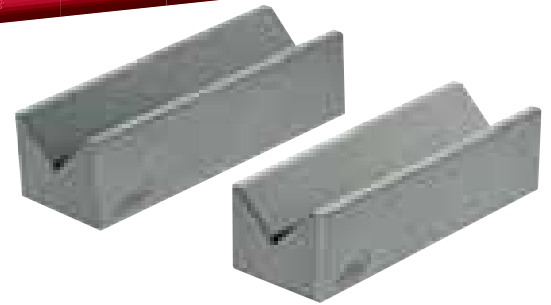
## V-blocks (pair)

### Specification

- Special steel, hardened
- Flatness, parallelism and right-angled tolerance is 0.004 mm
- 90° grooves, machined in pairs
- End face and base are angular
- Pairs packed in cardboard box

Our V-blocks for Promotion Prices from € 99.-

Dimensions mm	For shafts dia. mm	Ref. No	Catalogue Price Euro	Promotion Price Euro
75 x 35 x 30	5 - 40	0520 101	123.00	105.00
100 x 47 x 40	5 - 55	0520 102	162.00	139.00
150 x 55 x 45	5 - 60	0520 103	215.00	185.00
200 x 65 x 55	5 - 75	0520 104	299.00	249.00
250 x 85 x 70	5 - 100	0520 105	409.00	349.00



## Double V-blocks (pairs) with clamp

### Specification

- Special steel, hardened
- Flatness, parallelism and right-angled tolerance is 0.004 mm
- Machined in pairs
- End face and base are angular
- Shipped in pairs

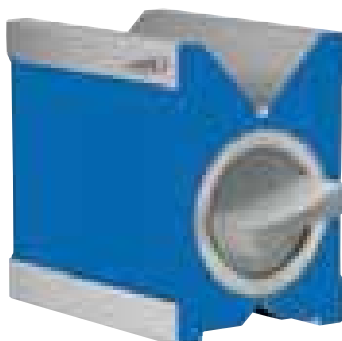
Dimensions mm	For shafts dia. mm	Ref. No	Catalogue Price Euro	Promotion Price Euro
50 x 40 x 40	5 - 30	0522 101	189.00	169.00
75 x 55 x 55	5 - 50	0522 102	230.00	199.00
100 x 75 x 75	7 - 70	0522 103	332.00	299.00

## Adjustable V-blocks 0-60°

### Specification

- Special steel, hardened
- Locking device
- Nonius reading
- Shipment in cardboard box

Dimensions mm	For shafts dia. mm	Ref. No	Catalogue Price Euro	Promotion Price Euro
75 x 25 x 33	28	0525 101	111.00	99.00
102 x 46 x 46	40	0525 103	126.00	105.00



## Magnetic measuring and clamping prism

### Specification

- Special steel
- Flatness and parallelism is 0.004 mm; right-angled tolerance is 0.01 mm
- Magnet can be switched ON/OFF
- Magnetic force 600 N
- Shipment in cardboard box

Dimensions mm	For shafts dia. mm	Ref. No	Catalogue Price Euro	Promotion Price Euro
80 x 67 x 96	6 - 66	0527 101	314.00	249.00
100 x 70 x 96	6 - 70	0527 102	435.00	349.00

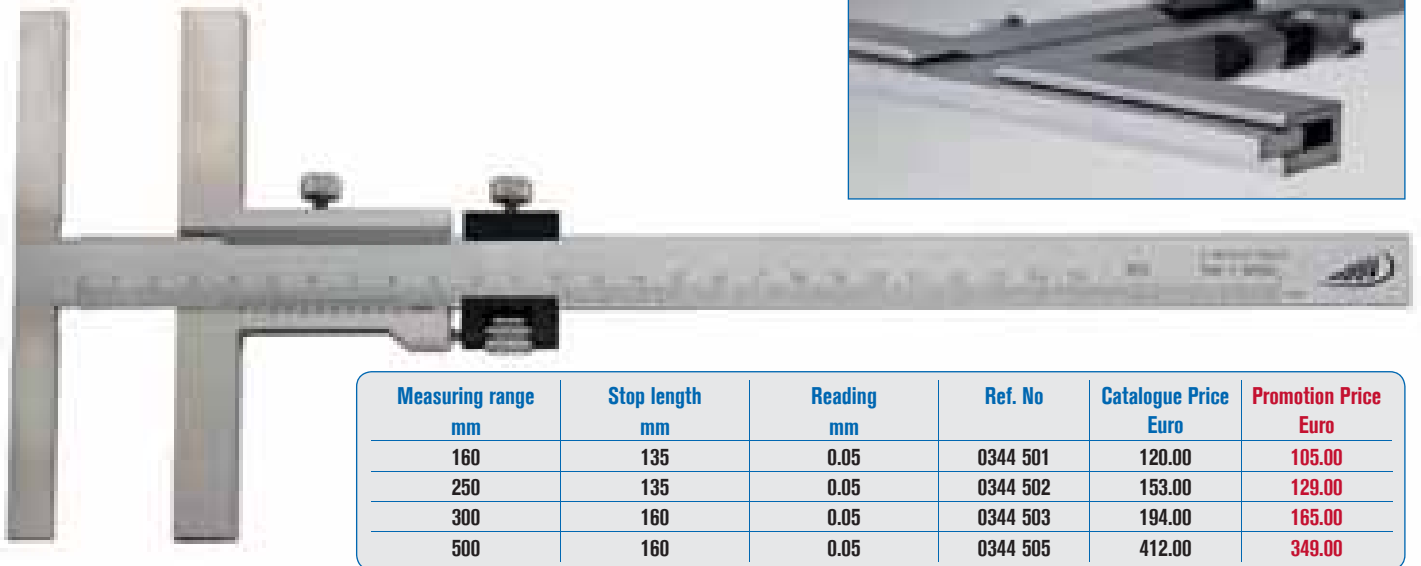
# HEIGHT AND SCRIBING GAUGES

## Marking calipers

### Specification

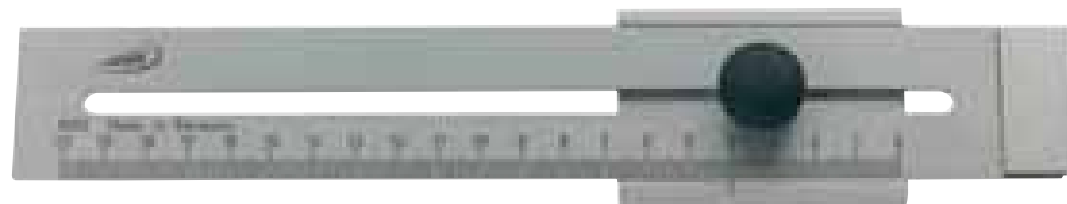
- Stainless steel, hardened
- Long T-shaped marking edge
- Factory standard
- Reading parts are satin chrome finished
- Low set master scale
- Fine adjustment
- Locking screw
- Shipment in cardboard box

Promotion Price  
from €18.-



Measuring range mm	Stop length mm	Reading mm	Ref. No	Catalogue Price Euro	Promotion Price Euro
160	135	0.05	0344 501	120.00	105.00
250	135	0.05	0344 502	153.00	129.00
300	160	0.05	0344 503	194.00	165.00
500	160	0.05	0344 505	412.00	349.00

## Marking gauge



### Specification

- Flat, stable construction
- Stainless steel, chrome finished
- Locking screw
- Hardened stop face
- mm graduated scale
- Factory standard
- Shipment in cardboard box

Measuring range mm	Blade width mm	Reading mm	Ref. No	Catalogue Price Euro	Promotion Price Euro
200	40	1/1	0321 301	21.00	18.00
250	40	1/1	0321 302	23.50	20.00
300	40	1/1	0321 303	24.00	22.00
500	40	1/1	0321 305	45.50	39.00

Made in Germany

HELIOS · PREISSER

## DIGI-MET® Height gauge with sliding scriber

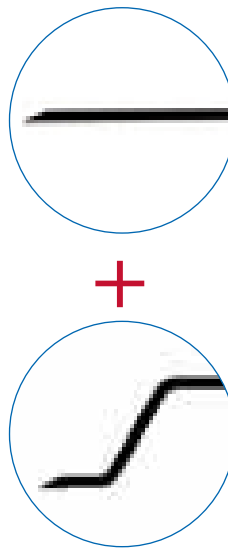
### Specification

- Measuring beam is made from special steel
- LCD-display 11 mm
- Fine adjustment
- Setting screw
- Steel base with dirt grooves
- Scribing possible from base plate level
- Factory standard
- With exchangeable, straight and cranked scriber, made from hardened steel

### Function

- ON/OFF switch
- Zero setting at any position
- mm/inch conversion
- Data output RS 232 Proximity
- Hold Function
- PRESET Function (setting a numerical value)

**PROMOTION**  
incl. 2 scribes - straight and cranked, made from hardened steel



Measuring range mm	Measuring beam mm	Base mm	Reading mm	Ref. No	Set	Promotion Price Euro
300	30 x 12	145 x 90 x 44	0.01	601216016	incl. second scriber	549.00
600	30 x 12	189 x 118 x 44	0.01	601216017	incl. second scriber	699.00
1000	30 x 12	189 x 118 x 44	0.01	601216018	incl. second scriber	949.00

## Inspection plates GG 1

### Specification

- Special cast iron
- Flatness in accordance to DIN 876-2
- Rigid ripped construction

Dimensions mm	Ref. No	Catalogue Price Euro	Promotion Price Euro
300 x 300	0478 115	206.00	175.00





HELIOS • PREISSER

**DIGI-MET® Pocket caliper**



**CLEARANCE SALE**  
**€ 139.-**

Buy 5 calipers and get 1 free!

**INCLUDES INITIAL CALIBRATION**  
 Supplied with a calibration certificate



**200 mm**  
**IP67**

**Specification**

- Measuring system is insensitive to fluids and dust
- Protection class IP67
- Stainless steel
- LCD display 7,5 mm
- DIN 862
- Housing and operating keys have an excellent chemical resistance
- Locking screw
- Inside cross points
- Four way measurement
- Shipment in plastic case

**Electronic functions**

- ON/OFF switch
- QuickStart Electronic
- QuickLock Function
- Zero setting at any position
- mm/inch conversion

Measuring range		Jaw length		Reading		Depth gauge	Ref. No	Catalogue Price Euro	Promotion Price Euro
mm	inch	mm	inch	mm	inch				
200	8	40	1.57	0.01	.0005	rectangular	1226 418	205.00	139.00

**While stocks last!**

000038702

- All illustrations and descriptions are valid at the time of going to press.
- All mentioned prices exclude the statutory value added tax (V.A.T.).
- No part of this promotion may be reproduced and/or duplicated, stored in a retrieval system, transmitted in any form or by means of electronic, mechanical, recording or otherwise, without the expressed prior written permission of HELIOS • PREISSER.