



HELIOS · PREISSER

**€ 139.-**  
~~€ 206.-~~

**ON SALE**  
while stocks last !



200 mm  
IP67

Partner for specialist retailers

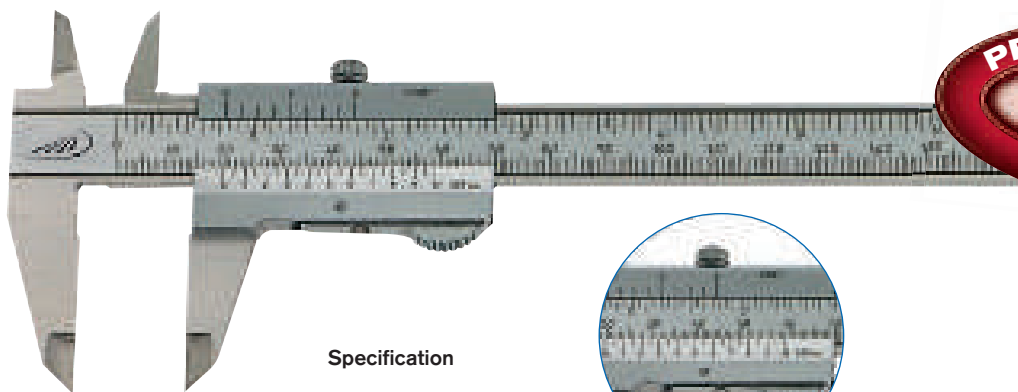
**Precision Offers**

In Germany at home – in demand worldwide

valid until 31.08.2016

# CALIPERS

## Pocket vernier caliper DUO - FIX DIN 862

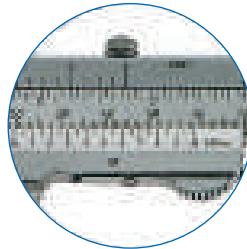


**PROMOTION PRICE**  
**€ 19.50**

Locking screw  
 + Thumb clamp  
 = DUO - FIX

### Specification

- Stainless steel
- Reading parts have a satin chrome finish
- DIN 862
- **Thumb clamp** and locking screw



- Inside cross points
- Low-set master scale
- Four way measurement
- Includes thread table
- Shipment in imitation leather case

Measuring range		Jaw length		Reading		Depth gauge	Ref. No
mm	inch	mm	inch	mm	inch		
150	6	40	1.57	0.05	1/128	rectangular	0190 501

## Pocket vernier caliper SOFT - SLIDE DIN 862



**PROMOTION PRICE**  
**€ 29.50**

**NEW**  
**SOFT - SLIDE**  
 Smooth-running

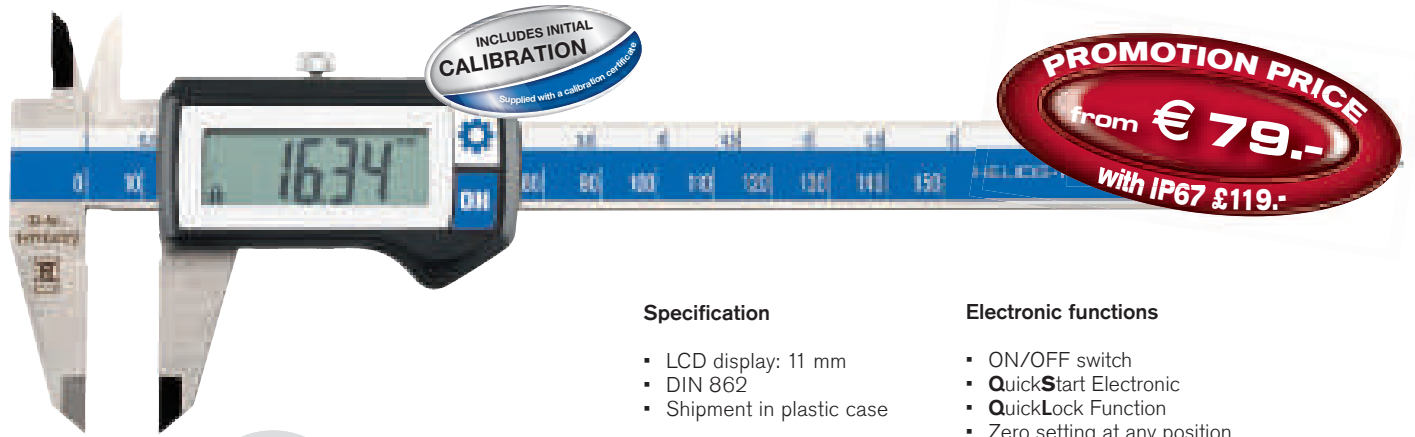
### Specification

- Stainless steel
- Reading parts have a satin chrome finish
- DIN 862
- Thumb clamp
- Inside cross points
- Low-set master scale
- Four way measurement
- Includes thread table
- Shipment in imitation leather case

Measuring range		Jaw length		Reading		Depth gauge	Ref. No
mm	inch	mm	inch	mm	inch		
150	6	40	1.57	0.05	1/128	rectangular	0197 501



## DIGI-MET® Pocket caliper DIN 862



### Specification

- LCD display: 11 mm
- DIN 862
- Shipment in plastic case

### Electronic functions

- ON/OFF switch
- **QuickStart** Electronic
- **QuickLock** Function
- Zero setting at any position
- mm/inch conversion

Scan to watch



Measuring range		Jaw length		Reading		Depth gauge	Ref. No	Promotion Price	Ref. No	Promotion Price
mm	inch	mm	inch	mm	inch			Euro		Euro
150	6	40	1.57	0.01	.0005	Ø 1.5 mm	1320 416	79.00	1326 416	119.00
150	6	40	1.57	0.01	.0005	rectangular	1320 417	79.00	1326 417	119.00

## DIGI-MET® Pocket caliper IP 67

**200 mm at a Promotion Price! You save 32 %**

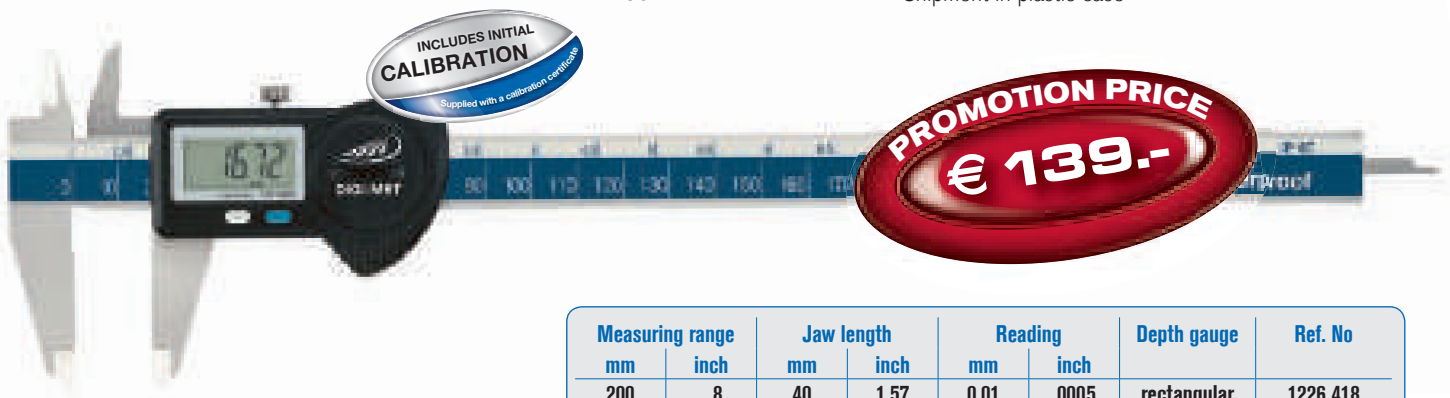
### Specification

- Measuring system is insensitive to fluids and cooling agents
- Protection class IP67
- Stainless steel
- LCD display 7,5 mm
- DIN 862

- Housing and operating keys have an excellent chemical resistance
- Locking screw
- Inside cross points
- Four way measurement
- Shipment in plastic case

### Electronic functions

- ON/OFF switch
- **QuickStart** Electronic
- **QuickLock** Function
- Zero setting at any position
- mm/inch conversion



Measuring range		Jaw length		Reading		Depth gauge	Ref. No
mm	inch	mm	inch	mm	inch		
200	8	40	1.57	0.01	.0005	rectangular	1226 418

**Sale while stocks last!**

# CALIPERS

## Universal caliper „POCKET-TALENT“



The all-round talent that can be used for internal and external measurements. It can be combined with all common types of measuring inserts for indicators with a standard M 2.5 thread. Therefore, the small universal caliper from HELIOS ▪ PREISSER offers you virtually unlimited measurement applications.



### Specification

- Stainless steel
- Factory standard
- Locking screw
- LCD display: 7.5 mm
- For internal and external measurements
- Individually adaptable on problematic tasks through measuring inserts with thread M 2.5
- Shipment in wooden case, incl. setting standard and 5 pairs of measuring inserts
- More inserts see catalogue page 132

### Electronic functions

- ON/OFF switch
- QuickLock Function
- QuickStart Electronic
- Zero setting at any position
- mm/inch conversion
- Additional Extras Variable data output RS 232 + Digimatic + USB
- PRESET Function (setting a numerical value)



▪ accurate setting standard



Measuring range		Jaw length		Reading		Ref. No
mm	inch	mm	inch	mm	inch	
150	6	40	1.57	0.01	.0005	6012 16001



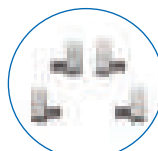
Scan to watch



## 5 Measuring inserts included



0710177



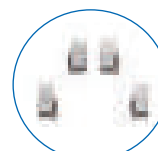
0710161



0710166



0710167



0710163

## DIGI-MET® Pocket caliper with data output



**PROMOTION PRICE**  
from € 109.-  
with IP67 from £ 125.-



INCLUDES INITIAL CALIBRATION  
Supplied with a calibration certificate

### Specification

- Stainless steel
- DIN 862
- Inside cross points
- Shipment in wooden case

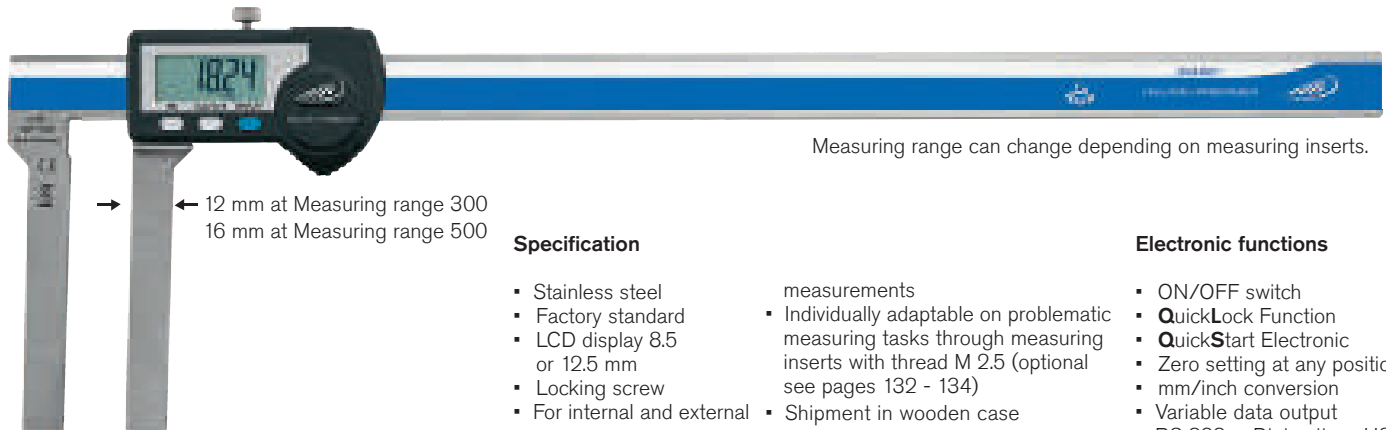
### Electronic functions

- ON/OFF switch
- QuickLock Function
- QuickStart Electronic
- Zero setting at any position
- mm/inch conversion
- Variable data output RS 232 + Digimatic + USB



Measuring range		Jaw length		Reading		Depth gauge	Ref. No	Promotion Price	Ref. No	Promotion Price
mm	inch	mm	inch	mm	inch			Euro		Euro
150	6	40	1.57	0.01	.0005	Ø 1.5 mm	1320 516	109.00	1326 516	125.00
150	6	40	1.57	0.01	.0005	rectangular	1320 517	109.00	1326 517	125.00
200	8	50	1.97	0.01	.0005	rectangular	1320 519	145.00	1326 518	189.00

## DIGI-MET® Universal caliper



Measuring range can change depending on measuring inserts.

→ ← 12 mm at Measuring range 300  
16 mm at Measuring range 500

### Specification

- Stainless steel
- Factory standard
- LCD display 8.5 or 12.5 mm
- Locking screw
- For internal and external measurements
- Individually adaptable on problematic measuring tasks through measuring inserts with thread M 2.5 (optional see pages 132 - 134)
- Shipment in wooden case

### Electronic functions

- ON/OFF switch
- QuickLock Function
- QuickStart Electronic
- Zero setting at any position
- mm/inch conversion
- Variable data output RS 232 + Digimatic + USB
- PRESET Function (setting a numerical value)

Measuring range		Jaw length		Reading		Ref. No	Price
mm	inch	mm	inch	mm	inch		Euro
300	12	90	3.5	0.01	.0005	6012 16002	561.00
500	20	100	4.0	0.01	.0005	6012 16003	719.00

## 6 Measuring inserts included



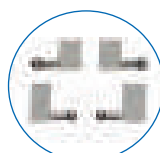
0710163



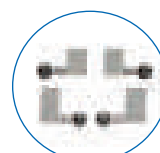
0710165



0710166



0710181



0710187



0710167



# WORKSHOP CALIPERS

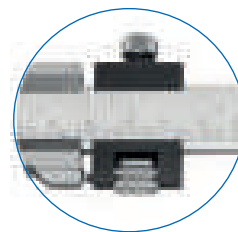
## Workshop calipers with long measuring jaws



Specification: Fine adjustment

### Specification

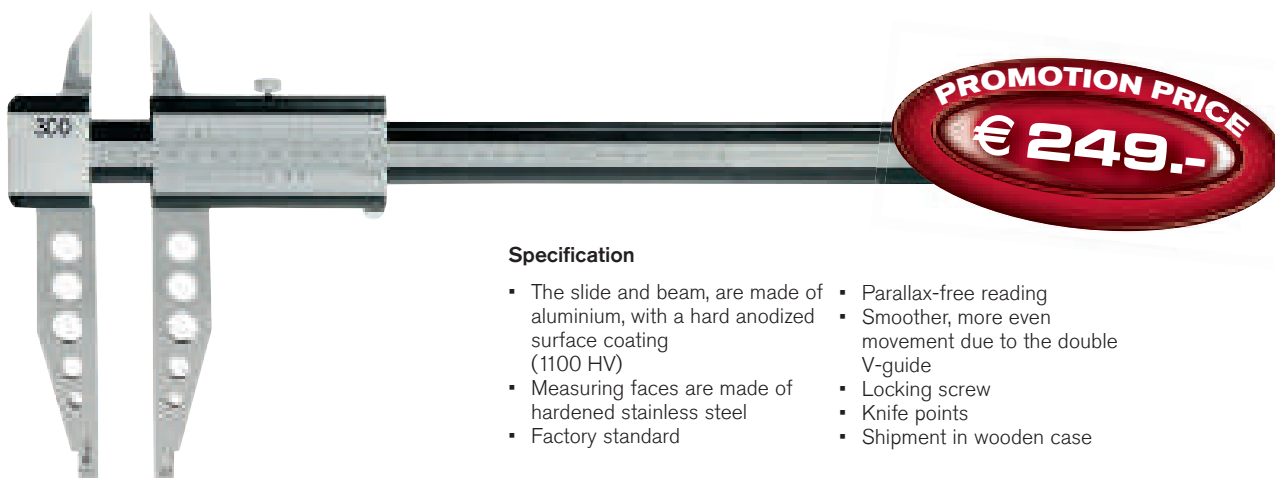
- Stainless steel
- Vernier and / or reading parts have a satin chrome finish
- Factory standard
- Locking screw
- Low-set master scale
- High-precision laser graduation on the vernier and scale
- Stepped jaws for inside measurement: 10 mm, 20 mm\*, 50 mm (0236 521)
- Shipment in cardboard box for calipers up to a meas. range 1000 mm



Fine adjustment

Measuring range		Jaw length		Reading		Ref. No	Price Euro	Ref. No	Price Euro
mm	inch	mm	inch	mm	inch				
300	12	150	6.0	0.05	1/128	0236 504	239.00	0237 504	262.00
500	20	250	10.0	0.05		0236 510*	591.00	0237 510*	638.00
800	31	300	12.0	0.05		0236 516*	918.00	0237 516*	974.00
1000	39	500	20.0	0.05		0236 521*	1,522.00	0237 521*	1,582.00

## Lightweight workshop caliper



### Specification

- The slide and beam, are made of aluminium, with a hard anodized surface coating (1100 HV)
- Measuring faces are made of hardened stainless steel
- Factory standard
- Parallax-free reading
- Smoother, more even movement due to the double V-guide
- Locking screw
- Knife points
- Shipment in wooden case

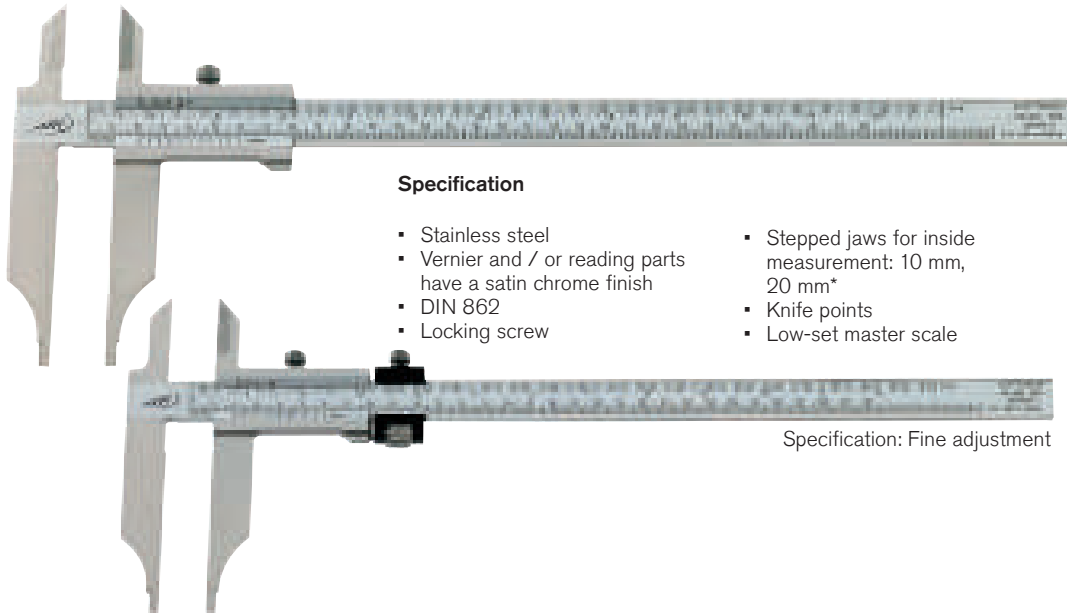
**€ 249.- instead of € 350.-**

Measuring range		Jaw length		Reading		Ref. No
mm	inch	mm	inch	mm	mm	
300	12	90	3.5	0.02	0.02	0238 503



## Workshop caliper

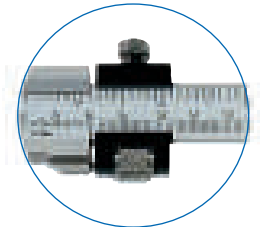
DIN 862



### Specification

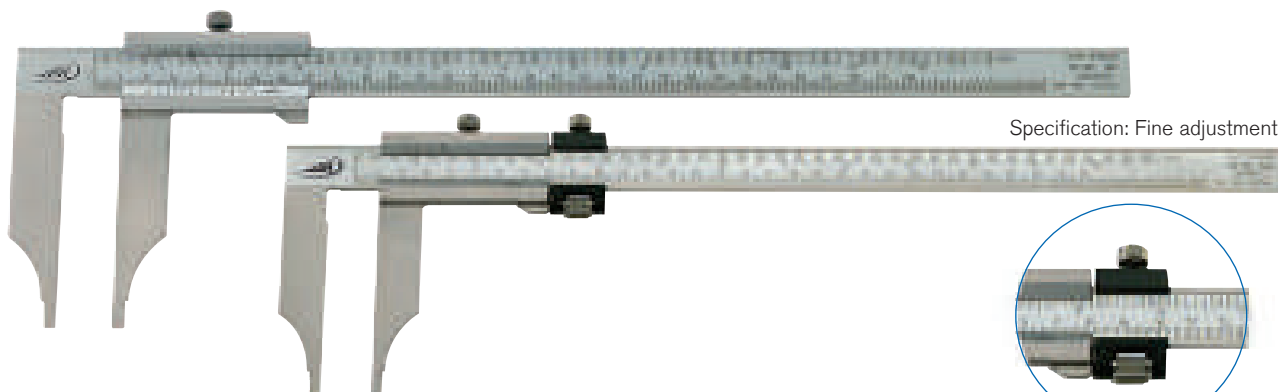
- Stainless steel
- Vernier and / or reading parts have a satin chrome finish
- DIN 862
- Locking screw
- Stepped jaws for inside measurement: 10 mm, 20 mm\*
- Knife points
- Low-set master scale
- High-precision laser graduation on the vernier and scale
- Shipment in cardboard box for calipers up to a meas. range 1000 mm

Specification: Fine adjustment

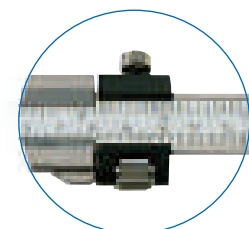


### Fine adjustment

Measuring range		Jaw length		Reading		Ref. No	Price Euro	Ref. No	Price Euro
mm	inch	mm	inch	mm	inch				
200	8	80	3.0	0.05	1/128	0234 501	119.00	0235 501	136.00
250	10	80	3.0	0.05	1/128	0234 502	138.00	0235 502	163.00
300	12	90	3.5	0.05	1/128	0234 503	151.00	0235 503	174.00
500	20	150	6.0	0.05		0234 508*	451.00	0235 508*	488.00
800	31	150	6.0	0.05		0234 514*	580.00	0235 514*	639.00
1000	39	150	6.0	0.05		0234 518*	697.00	0235 518*	755.00



Specification: Fine adjustment



### Fine adjustment

Measuring range		Jaw length		Reading		Ref. No	Price Euro	Ref. No	Price Euro
mm	inch	mm	inch	mm	inch				
200	8	80	3.0	0.05	1/128	0236 501	99.00	0237 501	122.00
250	10	80	3.0	0.05	1/128	0236 502	125.00	0237 502	149.00
300	12	90	3.5	0.05	1/128	0236 503	135.00	0237 503	161.00
500	20	150	6.0	0.05		0236 508*	376.00	0237 508*	423.00
800	31	150	6.0	0.05		0236 514*	466.00	0237 514*	524.00
1000	39	150	6.0	0.05		0236 518*	581.00	0237 518*	640.00

# GAUGES

## 8 piece gauge Set



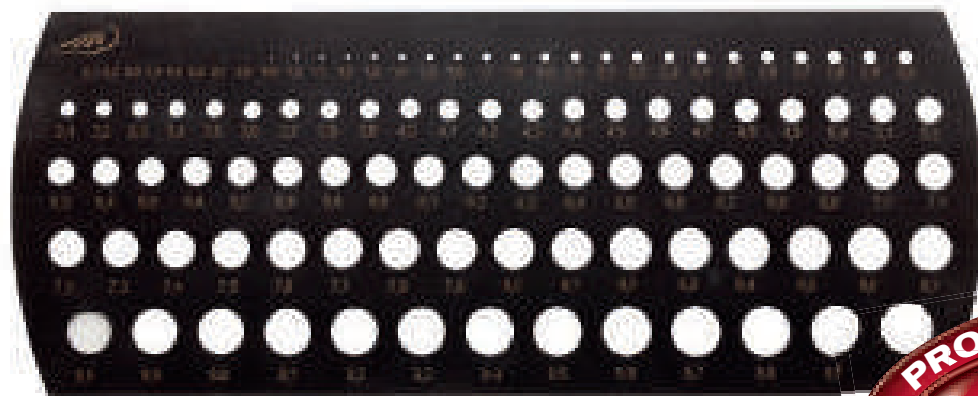
**PROMOTION PRICE**  
**€ 75.-**

### Content

- Universal grinding gauge – thickness 2 mm, scales in mm graduation, angles 120°, 118°, 90°, 60° and 55°, special steel
- Welding gauge – measuring range 20 mm, reading 0.1mm, locking screw, special steel
- Radius gauge – 17 sheets, concave and convex, locking nut, stainless steel, measuring range 1.0 – 7.0 mm
- Radius gauge – 16 sheets, concave and convex, locking nut, stainless steel, measuring range 7.5 – 15.0 mm
- Radius gauge – 15 sheets, concave and convex, locking nut, stainless steel, measuring range 15.5 – 25.0 mm
- Screw pitch gauge – 24 blades, for metric threads according to ISO, range 0.25 – 6.0 mm
- Screw pitch gauge – 28 blades, for Whitworth threads according to DIN, range 4 - 62 mm
- Feeler gauge – 20 conical blades, length 100mm, range 0.05 – 1.00, stainless steel, locking nut, Shipment in wooden case

Ref. No: 0609 190

## Drill and steel wire hole gauges (millimeter)



**PROMOTION PRICE**  
**from € 49.-**

Measuring range mm	Increments mm	Ref. No	Promotion Price Euro
0.1 - 10.0	0.1	0601 103	79.00
3.0 - 10.0	0.1	0601 120	49.00

### Specification

- Special steel, nitrided
- Additional specifications are available upon request





## Feeler gauge tape set

**BESTSELLER !**

**Promotion Price!**  
**€ 125.- and € 165.-**

### Specification

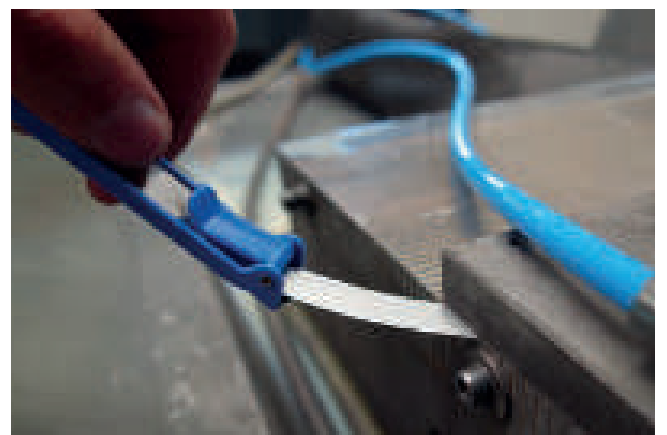
- 15 piece set
- With size labels
- Wall holder made of steel sheet, lacquered
  - Shipment incl. holder for feeler gauge tapes and mounting fittings



Dimensions mm	Graduation mm	Ref. No	Promotion Price Euro
330 x 100 x 110	0.01 - 0.25	0611 180	125.00
330 x 210 x 220	0.30 - 1.00	0611 190	165.00

### Specification

- Hardened carbon steel
  - Width 13 mm
  - Length 5 m
- Tape from 0.08 mm upwards marked with dimension
- Single pcs see catalogue page 245





**UHRTAST**

## Universal comparator gauge UHRTAST

### Specification

- Comparator gauge for external and internal measurements. Ideal for testing workpieces and setting machines.
- Versatile for comparative measurements due to the large choice of probes and measuring inserts
- Measuring range can be increased up to 2000 mm by using optional extensions
- The direction of the measuring force is reversible, thus allowing the instrument to be used for both external and internal measurements
- The setting of the universal comparator gauge can be conducted with an adjusting instrument, a master piece, a gauge block combination, a ring gauge or a micrometer
- Measuring range can be extended in conjunction with the extensions
- Shipment in wooden case (excludes a dial gauge)



Basic comparator gauge with indicator

**Watch the video and get to know the applications of this product!**



Scan to watch



### Basic comparator gauge



**PROMOTION PRICE**  
**€ 1,490.-**

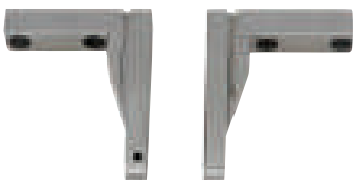
Internal measurement mm	External measurement mm	Ref. No
15 - 230	5 - 220	0741 101

### Extensions



Length mm	Ref. No	Price Euro
200	0741 114	254.00
500	0741 116	388.00

### Pairs of measuring arms



Length mm	Ref. No	Price Euro
40	0741 122	249.00
80	0741 124	299.00

Further accessories in our main catalogue from page 151



## Pair of depth stop attachment for measuring arms



Ref. No	Price Euro
0741 136	232.00

## Pair of probe mounting block



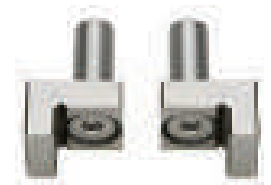
Ref. No	Price Euro
0741 170	158.00

## Pairs of ball measuring inserts



Length mm	Ref. No	Price Euro
23	0741 178	106.00
53	0741 179	106.00

## Pair of shoulder measuring inserts



Ref. No	Price Euro
0741 172	189.00

## Pair of shoulder measuring inserts



Ref. No	Price Euro
0741 174	154.00

## DIGI-MET® Indicator



### Specification

- Aluminium housing
- Hardened stainless steel spindle
- Outer ring (bezel) Ø 60 mm
- Replacement probe tip M 2.5
- Protection class IP 42
- Clamping shank Ø 8 mm
- Display unit can be rotated through 280°
- LCD display with 8.5 mm high numerals
- Factory standard
- Shipment in cardboard box

### Electronic functions

- ON/OFF switch
- QuickStart Electronic
- QuickLock Function
- Zero setting at any position
- mm/inch conversion
- Absolute function (display can be set to zero without losing the Preset value)
- Tolerance function
- MAX-MIN function

- TIR (MAX-MIN) function
- Reversal of counting direction
- Factor input
- Individual buttons can be locked
- Variable data output RS 232 + Digimatic + USB
- PRESET Function (setting a numerical value)

**The suitable indicator to the item**



Measuring range		Reading		Accuracy		Ref. No	Price Euro
mm	inch	mm	inch	mm	inch		
25.0	1.0	0.001	.00005	0.005	.0002	1734 506	421.00

# PROFESSIONAL ASSISTANTS

## Bevel protractors

**PROMOTION PRICE!**

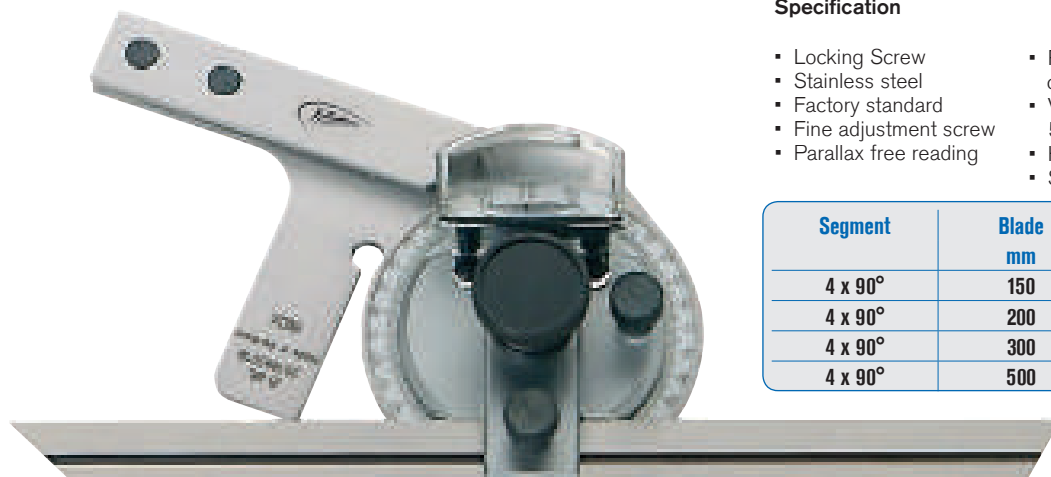


### Specification

- Locking screw
- Special steel, pointer arm is satin chrome finished
- Factory standard
- Adjustable stop bar 10° - 170°
- High precision, laser graduated degree scale
- Shipment in cardboard box

Graduated Ø mm	Pointer arm mm	Ref. No	Promotion Price Euro
100	150	0415 301	45.00
150	300	0415 302	69.00
200	400	0415 303	95.00
250	500	0415 304	129.00
300	600	0415 305	145.00

## Universal bevel protractors with magnifying lense



### Specification

- Locking Screw
- Stainless steel
- Factory standard
- Fine adjustment screw
- Parallax free reading
- Reading parts satin chrome plated
- Vernier scale reading 5 minutes
- Hardened beam
- Shipment in wooden case

Segment	Blade mm	Ref. No	Price Euro
4 x 90°	150	0422 501	125.00
4 x 90°	200	0422 502	135.00
4 x 90°	300	0422 503	140.00
4 x 90°	500	0422 504	145.00



## Universal indicator stands with combi clamp



### Specification

- Chrome plated columns
- Base with V-groove
- Magnet with ON/OFF switch
- **Combi clamp:**  
 Ø 8 mm for dial gauges,  
 swallow tail clamp for dial  
 test indicators
- Integrated fine adjustment
- Shipment without indicator  
 in cardboard box

Max height mm	Radius mm	Column / Arm Ø mm	Magnetic base L x W x H mm	Magnetic force N	Ref. No	Price Euro
285	180	16/16	70 x 46 x 65	600	0750 101	129.00
500	180	20/16	75 x 60 x 80	800	0750 102	172.00

## Compact measuring stands

**PROMOTION  
PRICE!**

### Specification

- Cast base
- Chrome finished columns
- Hardened steel table
- With dust grooves (Ref. No. 0770 102 non-stop plane)
- With mounting hole for dial gauges Ø 8 mm
- Shipment in cardboard box



Measuring height mm	Reach mm	Column Ø mm	Transverse arm Ø mm	Table surface mm	Ref. No	Promotion Price Euro
<b>With fixed arm</b>						
100	49	22	–	Ø 50	0770 102	139.00
100	49	22	–	60 x 68	0770 103	155.00
<b>With adjustable transverse arm</b>						<b>Price</b>
100	100	22	18	60 x 68	0770 201	208.00
150	135	28	20	98 x 115	0770 205	322.00



# HEIGHT AND SCRIBING GAUGES

## Squares



### Specification

- DIN 875
- For exact angle testing (for example: tool making)
- Shipment in cardboard box

**Highest Precision!  
Accuracy grade O**



### Specification

- DIN 875
- For exact angle testing (for example: tool making)
- Shipment in cardboard box

**with base**

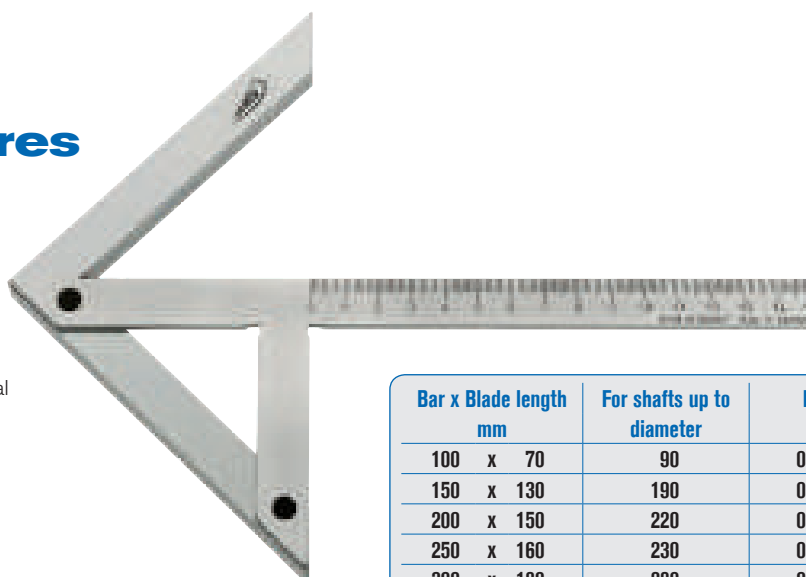
**flat**

Blade length mm	Cross section mm	Ref. No	Price Euro	Ref. No	Price Euro
<b>Special steel</b>					
75 x 50	15 x 5	0368 102	14.80	0369 102	9.70
100 x 70	20 x 5	0368 103	17.20	0369 103	10.90
150 x 100	25 x 5	0368 104	26.10	0369 104	13.40
200 x 130	30 x 6	0368 105	33.40	0369 105	22.10
250 x 165	35 x 7	0368 106	48.30	0369 106	30.60
300 x 200	40 x 8	0368 107	65.00	0369 107	39.30
400 x 265	45 x 10	0368 108	142.00	0369 108	96.00
<b>Stainless steel</b>					
75 x 50	15 x 5	0368 202	22.10	0369 202	16.10
100 x 70	20 x 5	0368 203	23.90	0369 203	17.60
150 x 100	25 x 5	0368 204	41.00	0369 204	23.40
200 x 130	30 x 6	0368 205	59.00	0369 205	35.40
250 x 165	35 x 7	0368 206	86.00	0369 206	47.10
300 x 200	40 x 8	0368 207	96.00	0369 207	65.00
400 x 265	45 x 10	0368 208	180.00	0369 208	125.00

## Centre squares

### Specification

- Special steel, chrome finished
- Factory standard
- With mm graduated scale
- Scale has a satin chrome finish
- For marking the centre of cylindrical workpieces, for example spindless, slices
- Shipment in cardboard box



Bar x Blade length mm	For shafts up to diameter	Ref. No	Price Euro
100 x 70	90	0380 103	28.70
150 x 130	190	0380 104	33.90
200 x 150	220	0380 105	42.10
250 x 160	230	0380 106	48.70
300 x 180	280	0380 107	64.00

**Made in  
Germany**



**HELIOS · PREISSER**

## DIGI-MET® Height and scribing gauges



### Specification

- Measuring beam is made from special steel
- LCD-display 11 mm
- Setting screw
- ① Fine adjustment
- ② Accurate fine adjustment on rear rack and setting wheel with pinion
- Steel base with dirt grooves
- Scribing possible from base plate level

### Electronic functions

- ON/OFF switch
- Zero setting at any position
- mm/inch conversion
- Hold Function
- Data output RS 232 Proximity
- PRESET Function (setting a numerical value)
- With exchangeable scriber, carbide tipped



② Accurate fine adjustment on rear rack

### Fine adjustment

### Gear rack

Measuring range mm	Measuring beam mm	Base mm	Reading mm	Ref. No	Price Euro	Ref. No	Price Euro
300	30 x 12	145 x 90 x 44	0.01	0345 722	519.00	0347 722	639.00
600	30 x 12	189 x 118 x 44	0.01	0345 730	649.00	0347 730	799.00
1000	30 x 12	189 x 118 x 44	0.01	0345 734	899.00	0347 734	1,099.00

## DIGI-MET® Height gauge with sliding scriber



### Specification

- Measuring beam is made from special steel
- LCD-display 11 mm
- Fine adjustment
- Setting screw
- Steel base with dirt grooves
- Scribing possible from base plate level
- Factory standard
- With exchangeable, straight scriber made from hardened steel
- Cranked scriber sold separately

### Electronic functions

- ON/OFF switch
- Zero setting at any position
- mm/inch conversion
- Data output RS 232 Proximity
- Hold Function
- PRESET Function (setting a numerical value)

Measuring range mm	Measuring beam mm	Base mm	Reading mm	Ref. No	Price Euro
300	30 x 12	145 x 90 x 44	0.01	0349 722	549.00
600	30 x 12	189 x 118 x 44	0.01	0349 730	699.00
1000	30 x 12	189 x 118 x 44	0.01	0349 734	949.00



## DIGI-MET® Depth gauges

**Discontinued promotion  
from € 199.-**



### Specification

- Stainless steel
- Inductive measuring system, protection class IP67
- DIN 862
- Locking screw
- LCD display 11 mm
- Measuring pin dia. 1.5 mm
- Shipment in plastic case, 500 mm in wooden case

### Electronic functions

- ON/OFF switch
- **QuickLock** Function
- **QuickStart** Electronic
- Zero setting at any position
- mm/inch conversion

Measuring range		Base length		Reading		Ref. No	Promotion Price Euro
mm	inch	mm	inch	mm	inch		
150	6	100	4	0.01	.0005	1271 416	199.00
300	12	150	6	0.01	.0005	1271 422	249.00
500	20	150	6	0.01	.0005	1271 428	299.00

While stocks last!

## Extension depth attachment base



Base length mm	Ref. No	Price Euro
200	1271 451	82.00
300	1271 452	95.00

00003862

- All illustrations and descriptions are valid at the time of going to press.
- All mentioned prices exclude the statutory value added tax (V.A.T.)
- No part of this promotion may be reproduced and/or duplicated, stored in a retrieval system, transmitted in any form or by means of electronic, mechanical, recording or otherwise, without the expressed prior written permission of HELIOS • PREISSER.